

using the handy trolley

- The Handy Trolley is suitable for carrying objects or for use as a temporary table to dine from or for writing or hobbies.
- The maximum weight limit for each tray is 15kg (33lb). Exceeding the maximum weight limit could result in damage or injury.
- Before use, check that all four wheels are on the ground and are set at equal heights.
- The Handy Trolley has not been designed as a walking aid. Other specifically designed walking aids are available from Drive Medical.
- Please note that there is no brake function on the trolley, and that involuntary movement may occur on certain surfaces and if there is a gradient. Bear this in mind when walking with and using the trolley.

tray removal and cleaning

- The trays on the trolley can be removed for convenience or for cleaning. To remove, lift up the front of the tray then slide out the back of the tray.
- To reinstall the trays, refer to step 4 of the Assembly Instructions.
- The trays can be wiped down or washed with a mild detergent.
- The frame can be wiped down with a damp cloth. Mild detergent may also be used.

specification

- Trolley: 47cm (18.5") Wide x 50cm (19.7") Deep x 89 - 102cm (35" - 40") High
- Trays: 46cm (18") Wide x 34cm (13.4") Deep
- Lower Tray: 39.5cm (15.5") - 20.5") High
- Upper Tray: 68.5cm (26.9") - 32") High
- Weight: Total 8kg (17.6lb), Tray 0.6kg (1.3lb)

warranty details

Your Drive branded product is warranted to be free of defects in materials and workmanship for one year from date of purchase.

This device was built to exacting standards and carefully inspected prior to shipment. This warranty is an expression of our confidence in the materials and workmanship of our products and our assurance to the customer.

In the event of a defect covered by this warranty, we will at our option supply parts or replace the device.

This warranty does not cover device failure due to owner misuse or negligence, or normal wear and tear. The warranty does not extend to non-durable components, such as rubber accessories, castors and grips, which are subject to normal wear and need periodic replacement.



Drive Medical Ltd

Ainley's Industrial Estate, Elland,
West Yorkshire, GB Hx5 9JP
www.drivemedical.co.uk

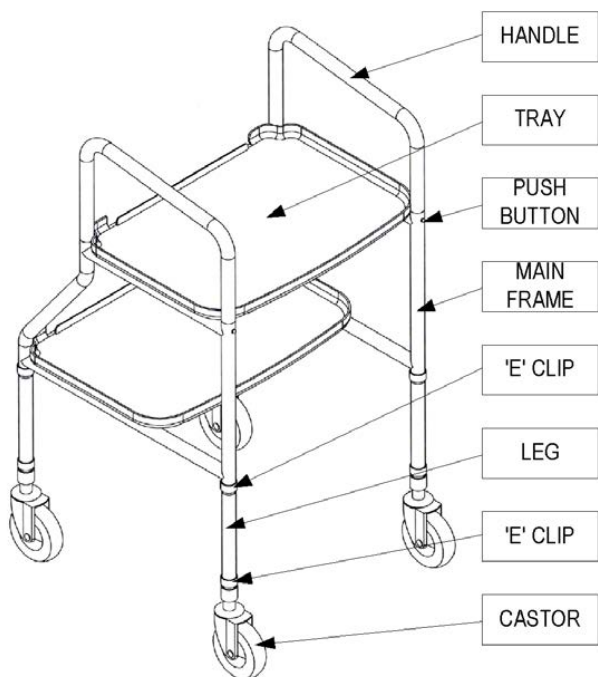
handy trolley

A large, vertical version of the Drive Medical logo, with the word "drive" in white lowercase letters on a dark blue background. A yellow and orange square is positioned above the letter 'i'.

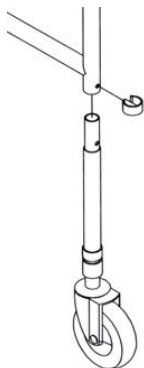
www.drivemedical.co.uk

The Handy Trolley from Drive Medical can provide invaluable help around the house. The trolley is constructed from a strong steel frame with plastic trays which are suitable for carrying everyday objects, use as a hobby table or to dine from. The Trolley is height adjustable and requires no tools for assembly or adjustment.

parts description

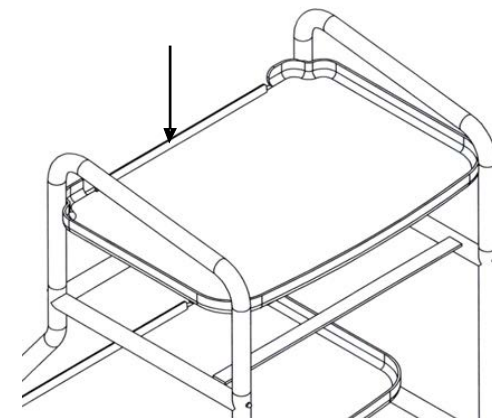


assembly instructions



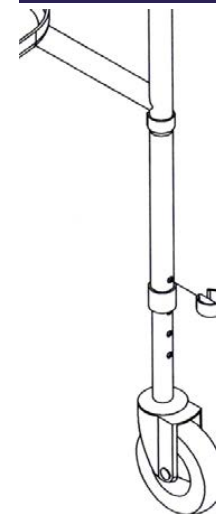
1. Remove all components from packaging.
2. Insert the leg (with castor attached) in to the bottom of the main frame. Then insert the top 'E' clip to secure. Repeat this stage for all four legs.

(See diagram left)



4. Insert the two trays on to the main frame. Slide the back of the tray on to the flat bar of the main frame then push down on the front of the tray (shown by arrow). Repeat for the other tray. (See diagram above).

height adjustment



The height of the trolley can be adjusted:

1. Remove the bottom 'E' clip on the trolley leg.
2. Reposition the castor leg as required for the desired height.
3. Reinsert the 'E' clip.
4. Repeat for all 4 legs, ensuring they are all set at the same height.

(see diagram left)

3. Insert the handle in to the top of the main frame. Hold in the brass push buttons on the handle whilst inserting. Insert the handle until the push buttons lock it in position. Repeat for the other handle. (See diagram above).